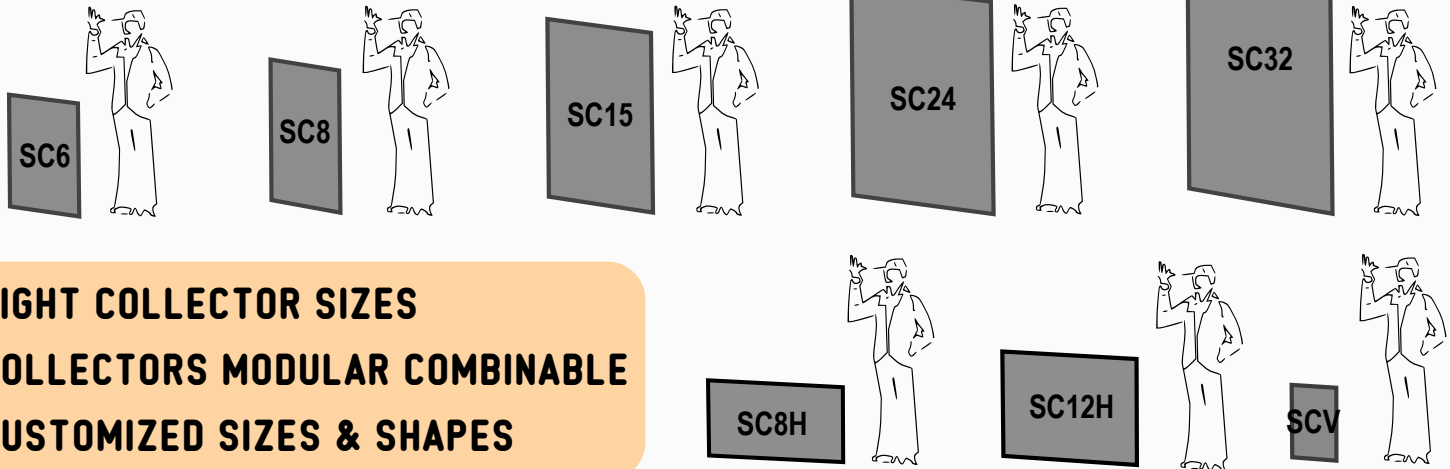


SAVINGS FOR HEATING FROM 50-80%
VERY EASY INSTALLATION
EVEN "DO IT YOURSELF"

sunnysaveTM

Designed and manufactured
in the USA, Reno Nevada



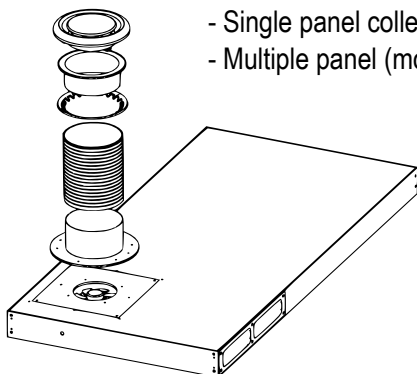
EIGHT COLLECTOR SIZES
COLLECTORS MODULAR COMBINABLE
CUSTOMIZED SIZES & SHAPES

For **permanent residence** of everyday use just select the lowest value of room area for better performance and savings of more than 50%.

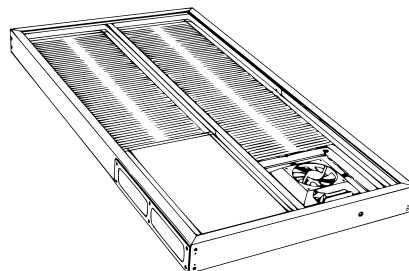
For **country or vacation houses** with lower heating needs and mainly with ventilation and dehumidification needs, select the highest value of room area.

**value calculated with a solar irradiation of 1000 W/m2

TYPE	DIMENSIONS HxWxD	FACE	NOMINAL POWER **	RECOMMENDED ROOM AREA
SC6	3 ft x 2 ft x 3 in	6 sqft	350 Watt	40 - 150 sqft
SC8	4 ft x 2 ft x 3 in	8 sqft	500 Watt	60 - 200 sqft
SC15	5 ft x 5 ft x 3 in	15 sqft	1000 Watt	120 - 400 sqft
SC24	6 ft x 4 ft x 3 in	24 sqft	1500 Watt	200 - 600 sqft
SC32	8 ft x 4 ft x 3 in	32 sqft	2100 Watt	250 - 900 sqft
SC8H	2 ft x 4 ft x 3 in	8 sqft	500 Watt	60 - 200 sqft
SC12H	2 ft x 6 ft x 3 in	12 sqft	750 Watt	100 - 300 sqft
SCV	2 ft x 1.3 ft x 3 in	2.6 sqft		ventilation 200 - 3000 sqft



- Single panel collectors come complete with accessoires and kit ready for mounting on a wall.
- Multiple panel (modular combined collector sets) come individually customized.



Solar Ictec LLC
www.sunnysave.com